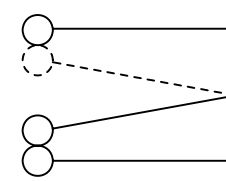
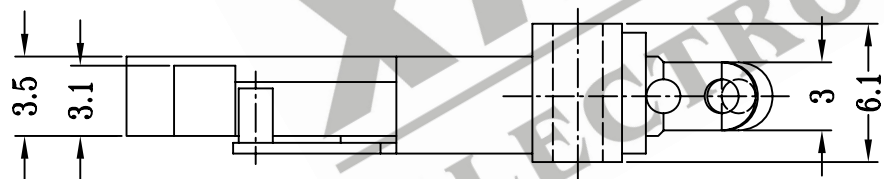
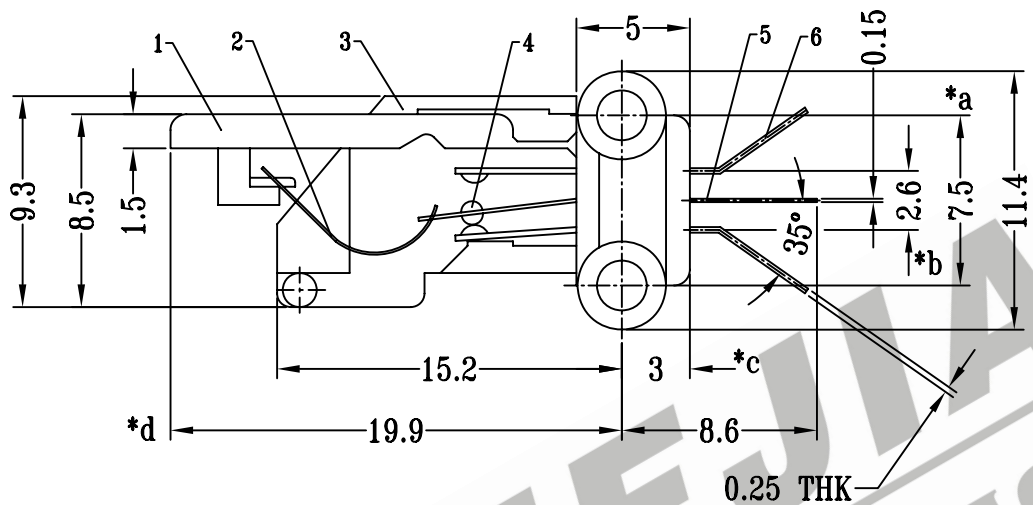


CAD FILE:



**SCHEMATIC**

注:带"\*"表示关键尺寸(4个)

8					TOLERANCE UNLESS SPECIFIED	SHENZHEN XIEJIA ELECTRONICS CO.,LTD.				
7										
6	TERMINAL	BRASS STRIP	2	Ag PLATED	WITHIN: 1.5±0.1mm OVER: 1.5±0.2mm	ISSUE	DATE	DESCRIPTIONS OF REVISION		APPD.
5	SPRING TERMINAL	PBS STRIP	1	NATURAL						
4	CONTACT	SILVER	1	NATURAL	TITLE : LEAF SWITCH		UNIT : mm	DRWG NO.: XJ-DR-LF28-00		
3	COVER	POM	1	BLACK						
2	SPRING PLATE	PBS STRIP	1	NATURAL	MODEL: LF-28		SCALE: 3:1	DWN.	ZHOUYU	2001-5-8
1	CASE	POM	1	BLACK				CHK'D	FANGYING	2001-5-8
NO.	PARTS	MATERIALS	Q'TY	FINISH	ALL MATERIALS MUST BE COMPLIANT TO ROHS			APPD.	KANGXINAN	2001-5-8